

JVC

SERVICE MANUAL

STEREO MINI-HEADPHONES

HA-F120-A/B/P/V-E

The "Product Exchange System" is applicable to this product.



Body Color

HA-F120-A	Blue
HA-F120-B	Black
HA-F120-P	Pink
HA-F120-V	Violet

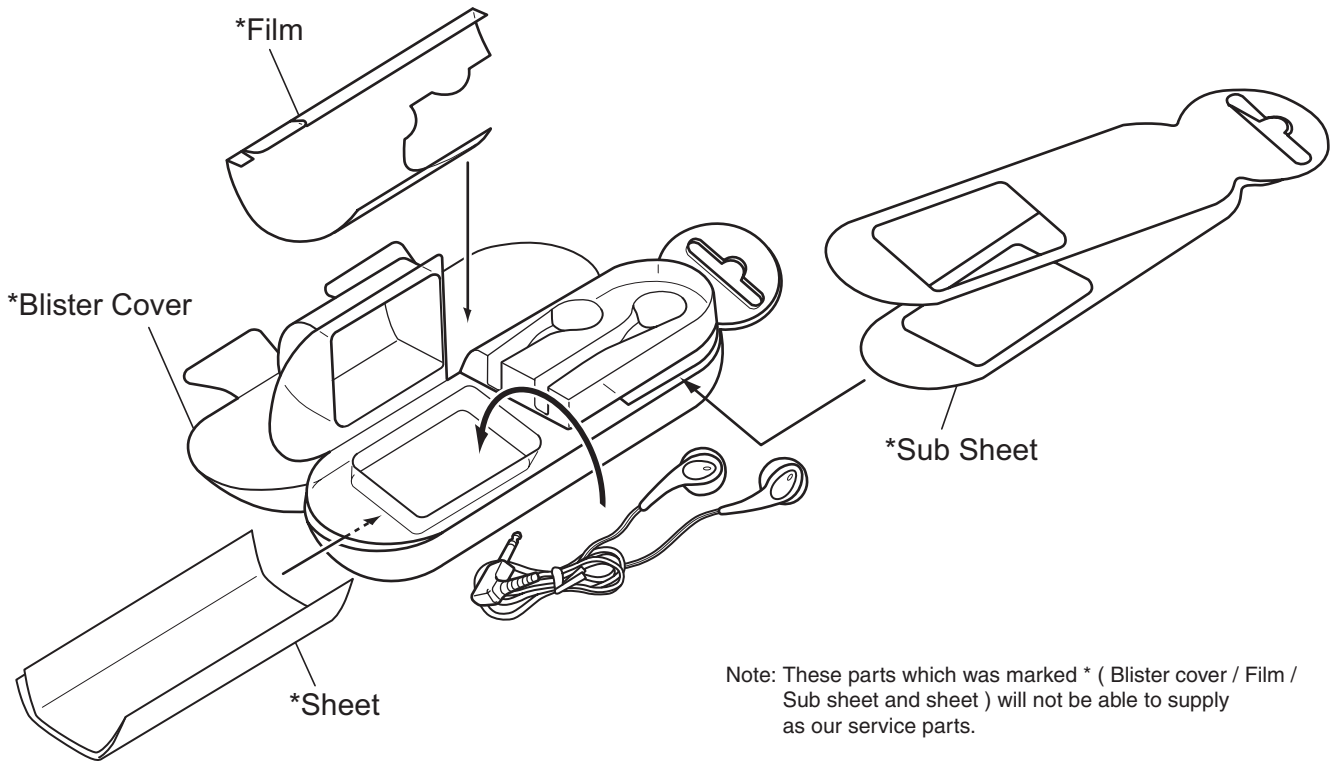
SPECIFICATION

Type	Moving coil
Frequency response	16Hz-20,000Hz
Nominal impedance	16 ohms
Sensitivity	109dB/1mW
Max.input capability	30mW
Cord length	1.2m (3.9ft) with stereo miniplug
Mass	5.5g (0.19oz) without cord 14g (0.5oz) with cord

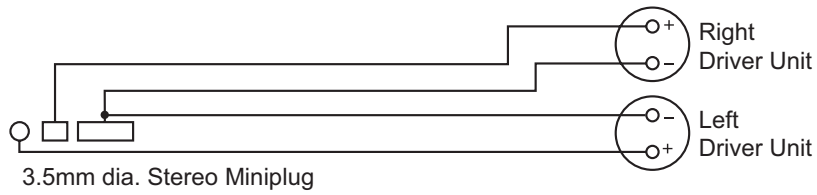
Design and specifications subject to change without notice.

Packing Method

[M] [1] [M] [M]



Wiring Diagram



JVC

VICTOR COMPANY OF JAPAN, LIMITED
AV & MULTIMEDIA COMPANY ACCESSORIES CATEGORY 1644, Shimotsuruma, Yamato, Kanagawa 242-8514, Japan

(No.XC013)